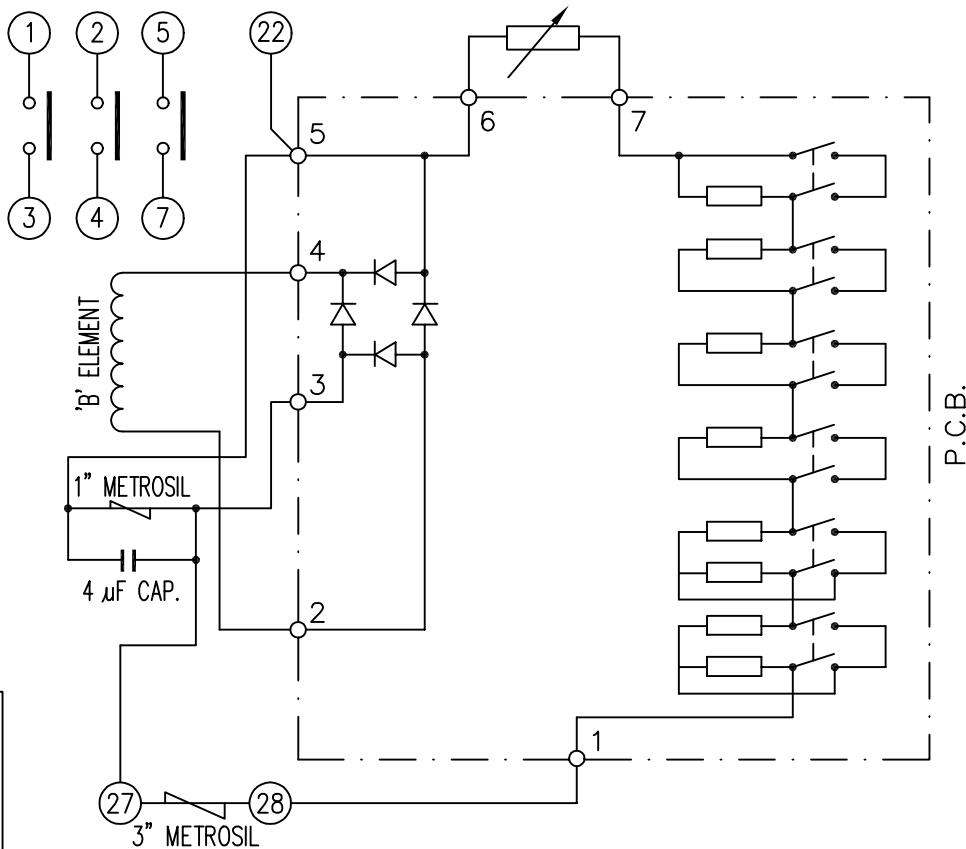


LOOKING ON FRONT OF RELAY



- KEY**
- ○ make contact
 - □ break contact
 - ○ ○ c/o contact
 - ② ext. conn
 - ⌋ plug bridge - shorting
 - ⊙ metering point
 - 5Kv barrier
 - test socket - shorting
 - ⊙ plug & socket

NOT SUBJECT TO UPDATE
ONCE COPIED / PRINTED
OR DOWNLOADED

FRAME REFERENCE E3FAMM

FRAME TERMINAL BLOCK ASSY:-

ASSEMBLY INSTRUCTIONS:-
TYPICAL ASSEMBLY DRAWING 2995G10032.
AT INDICATED POSITIONS FIT AS FOLLOWS,
T - FIT TRIP ISOLATION CONTACT 2995B10053.
S - FIT STANDARD CONTACT 2995B10054.
SECURE CONTACTS USING FIXING SCREW
2109F99009.
POSITIONS SHOWN BLANK ARE UNUSED.

2	T	T	1
4	T	T	3
6		T	5
8		T	7
10			9
12			11
14			13
16			15
18			17
20			19
22	S		21
24			23
26			25
28	S	S	27

VIEW FROM NUMBERED
SIDE OF BLOCK

OUTER TERMINAL BLOCK ASSY:-

ASSEMBLY INSTRUCTIONS:-

TYPICAL ASSEMBLY DRAWING 2995G10029.
AT INDICATED POSITIONS FIT AS FOLLOWS,
S - FIT STANDARD CONTACT 2995B10051
HC - FIT 'HEAVY CURRENT' KIT 2995G10030.
WHERE ⊖ ⊖ IS SHOWN FIT CT SHORTING
KIT 2995G10031
POSITIONS SHOWN BLANK ARE UNUSED
ALL POSITIONS FIT SCREW 2106F12506

2	S	S	1
4	S	S	3
6		S	5
8		S	7
10			9
12			11
14			13
16			15
18			17
20			19
22	S		21
24			23
26			25
28	⊖ ⊖		27

VIEW FROM INSIDE
FACE

1	6/4/99	MOD.No.	Title. T. B. AND WIRING DIAGRAM FOR 5B3 RELAY IN EPSILON E3 CASE.		First used on:	
			<p style="text-align: center;">Reyrolle Protection Hebburn.</p>		Similar Articles:	
<p style="text-align: center;">Original Scale.</p>		Supersedes:				
		<p style="text-align: center;">Drg.No.</p> <p style="font-size: 2em; text-align: center;">2320W50010</p>		Copyright © 1999		
ISSUE	DATE			DRAWN: S.REEVES	CHECKED:	APPROVED: R.D.WATSON